

# MSD200

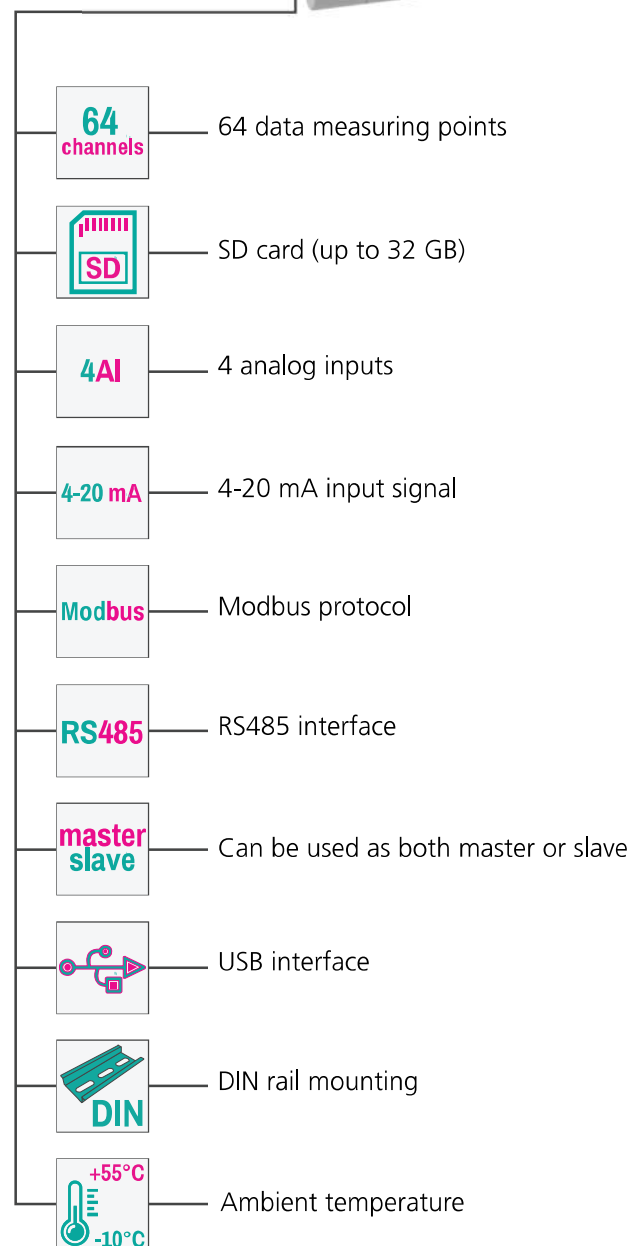
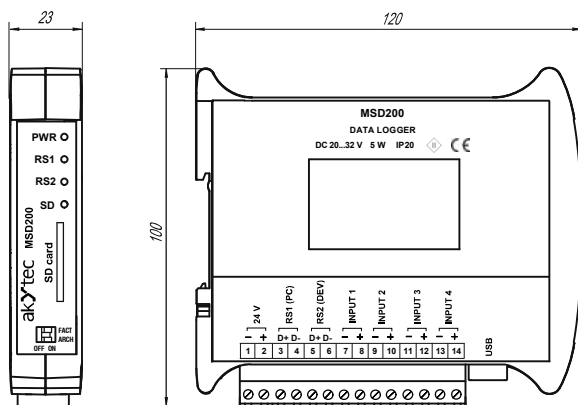
## MSD200 Data logger

MSD200 is a DIN rail device capable of logging data through up to 64 channels storing them on an SD card (max. 32 GB). This logger has four (0)4-20 mA analog inputs and two RS485 interfaces (Modbus RTU/ASCII). The integrated USB port allows data reading and the device configuring. Use of the included programming tool makes the configuration process and data handling easy and comfortable.

### Functions and features:

- 4 analog inputs for standard electrical signals 0-5 mA, 0-20 mA or 4-20 mA
- Scaling function to convert the measured value to any unit
- Monitoring of data received from other devices via Modbus over RS485 interface
- Logging the received data and store it as a hard-copy to a memory card as a CSV file
- Exchange the data with other information and control systems via Modbus
- The device supports remote access over external modem
- MSD200 Configurator software enables to configure the device and provides a visual means of analysing the process data

### Dimensions:



# MSD200

## Areas of application:

The MSD200 can be used for data archiving in various processes in the food, chemical, gas and packaging industry as well as in the construction materials and wood processing industries. It can be also applied in many other areas of industrial and building automation.

## Technical Data:

<b>General</b>	
Power supply	24 (20...32) V DC
Power consumption, max.	5 W
Number of channels, max.	64
Logging cycle	1...65535 s
Dataset size (per 1 channel)	20 byte
Storage media	MMC, SD, SDHC, microSD
Storage capacity	≤32 GB
Storage medium file system	FAT32
<b>Analog inputs</b>	
Quantity	4
Input signals	0-5 mA, 0(4)-20 mA
Sampling rate for analog inputs, max.	100 ms
Accuracy	±1.0%
Input resistance	133 ohm
Galvanic isolation	none
Resolution ADC	12 bit
<b>Communication</b>	
Interfaces	2 x RS485 (RS1, RS2), USB-Device 2.0
Protocol	Modbus RTU / ASCII, akYtec
<b>RS485</b>	
RS1 operation mode	Slave (PC interface)
RS2 operation mode	Master (Device interface)
RS1 protocol	Modbus RTU
RS2 protocol	Modbus RTU / ASCII, akYtec
Baud rate	1.2...115.2 kbit/s
Galvanic isolation	individual
<b>Environment</b>	
Ambient temperature	-10...+55 °C
Humidity	up to 80%, non-condensing
IP Code	IP20
<b>Enclosure</b>	
Dimensions	22.5 x 102 x 120 mm
Weight	approx. 150 g
Material	plastic