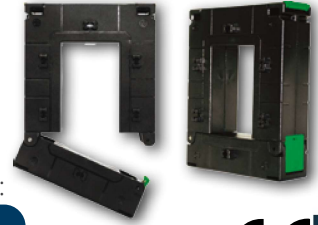


# LCTS - SPLIT CORE SERIES

	LCTS 93/30SC (40)	LCTS 125/50SC (40)	LCTS 155/80SC (40)	LCTS 195/80SC (64)
Window dimensions	23 x 33 mm	85 x 54 mm	85 x 125 mm	82 x 162 mm
Depth	40 mm	40 mm	40 mm	64 mm
Width	93 mm	125 mm	155 mm	195 mm
Rated primary current	100 A...400 A	250 A...1000 A	250 A...3000 A	500 A...5000 A
Secondary current	1 A, 5 A			
Accuracy class	0.5; 1			

INPUT:

100 A  
...  
5000 A



OUTPUTS:

5 A 1 A



3 YEAR WARRANTY

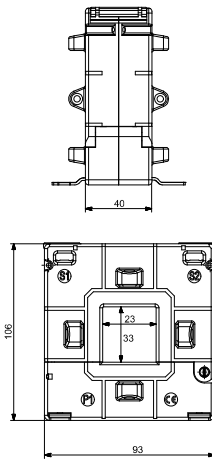
shop.lumel.com.pl



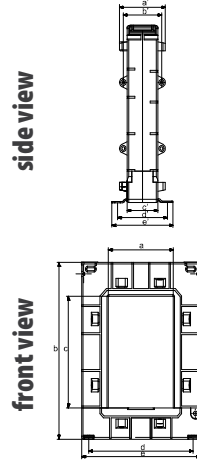
EPLAN

## DIMENSIONS

### LCTS 93/30SC (40)



### LCTS 125/50SC, 155/80SC, 195/80SC



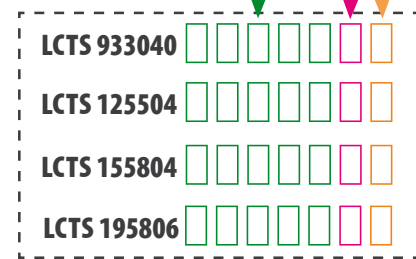
Side view (dimensions in mm)					
Type	a'	b'	c'	d'	e'
125/50SC (40)	60	50	40	65	80
155/80SC (40)	60	50	40	65	80
195/80SC (64)	84	74	64	80	100

Front view (dimensions in mm)					
Type	a	b	c	d	e
125/50SC (40)	54	158	85	106	125
155/80SC (40)	85	198	125	136	155
195/80SC (64)	80	245	160	179	195

## ORDERING CODES

Transformer type	LCTS 93/30SC (40)		LCTS 125/50SC (40)		LCTS 155/80SC (40)		LCTS 195/80SC (64)	
Accuracy class	0.5	1	0.5	1	0.5	1	0.5	1
Code	5	1	5	1	5	1	5	1

Code	Primary current	Transformer burden							
0100A	100 A	-	1.5 VA	-	-	-	-	-	-
0150A	150 A	-	1.75 VA	-	-	-	-	-	-
0200A	200 A	-	2.5 VA	-	-	-	-	-	-
0250A	250 A	-	3.75 VA	1 VA	2.5 VA	1 VA	2.5 VA	-	-
0300A	300 A	2.5 VA	5 VA	2.5 VA	3.75 VA	1.5 VA	3.75 VA	-	-
0400A	400 A	3.75 VA	6.25 VA	2.5 VA	3.75 VA	2.5 VA	3.75 VA	-	-
0500A	500 A	-	-	3.75 VA	5 VA	3.75 VA	5 VA	1.25 VA	5 VA
0600A	600 A	-	-	5 VA	7.5 VA	5 VA	7.5 VA	1.25 VA	5 VA
0750A	750 A	-	-	7.5 VA	10 VA	7.5 VA	10 VA	5 VA	10 VA
0800A	800 A	-	-	7.5 VA	10 VA	7.5 VA	10 VA	7.5 VA	10 VA
1000A	1000 A	-	-	10 VA	15 VA	10 VA	15 VA	10 VA	20 VA
1200A	1200 A	-	-	-	-	15 VA	30 VA	15 VA	20 VA
1250A	1250 A	-	-	-	-	15 VA	30 VA	15 VA	20 VA
1500A	1500 A	-	-	-	-	20 VA	45 VA	20 VA	30 VA
1600A	1600 A	-	-	-	-	20 VA	45 VA	20 VA	30 VA
2000A	2000 A	-	-	-	-	20 VA	45 VA	25 VA	30 VA
2500A	2500 A	-	-	-	-	25 VA	45 VA	25 VA	30 VA
3000A	3000 A	-	-	-	-	30 VA	45 VA	30 VA	45 VA
4000A	4000 A	-	-	-	-	-	-	30 VA	45 VA
5000A	5000 A	-	-	-	-	-	-	30 VA	45 VA



Secondary current	Code
x/5A	5
x/1A	1

Ordering example: Order code LCTS 9330400300A55 means the transformer LCTS 93/30SC(40) 300/5A ; Class 0.5; power 2.5VA

# LCTS - SPLIT CORE SERIES | COMPACT VERSION



INPUT:

150 A  
...  
500 A

OUTPUTS:

5 A 1 A



	LCTS 50/18SC	LCTS 50/32SC
Hole diameter	18.5 mm	32.5 mm
Depth	65.2 mm	65.2 mm
Width	61.4 mm	61.4 mm
Primary current	150 A...250 A	250 A...500 A
Secondary current	1 A, 5 A	
Accuracy class	1	

3 YEAR WARRANTY

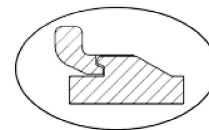
## GENERAL SPECIFICATION:

Applicable standards:	IEC 61869-1/2
Thermal nominal continuous rated current ( $I_{cth}$ ):	1.2 x $I_n$
Thermal nominal short time current ( $I_{dyn}$ ):	60 x $I_n$ , 1 sek
Maximum Operating Voltage:	0.72 kV
Rated Frequency:	50/60 Hz
Insulation Test Voltage:	3 kV, 1 Min.
Insulation Class:	E
Ambient temperature range:	-20°C ... +45°C
Storage temperature range:	-30°C ... +60°C
Ratios ranging:	from 150/1 up to 500/5
Accuracy Class:	1
Suitable only for mounting on insulated primary conductor. To be used in weather protected & dry location.	



## FEATURES:

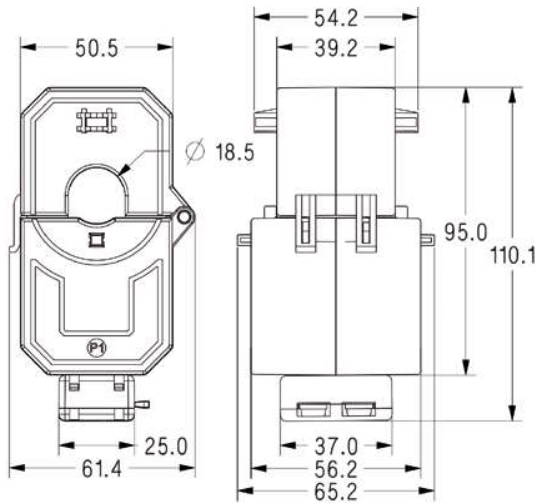
- Hinged Split Core.
- Swing open for ease of installation.
- Compact size.
- Two options for Bus Bar Mounting.
- Cable Tie provision for faster installation.
- Safety Plug in shorting link.
- Available with M4 Size Terminals.
- Provided with 3 Meter wire for 1A Output.
- Provided with 1 Meter wire for 5A Output.
- Wide range of system current ratings.
- Assured Core contact with Latching Type Snap fitment.
- Vibration Resistant Design.



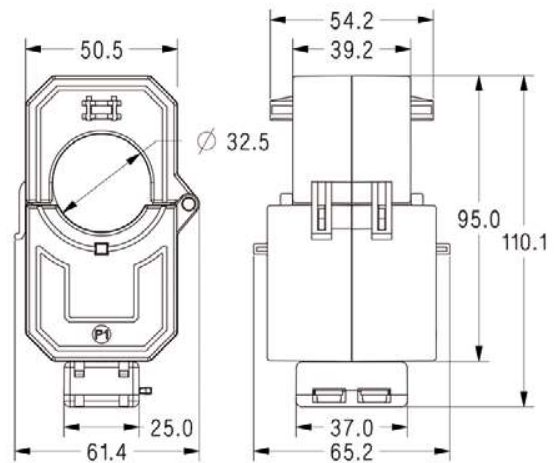
Locking Profile to avoid Accidental Opening.

## DIMENSIONS

### LCTS 50/18SC



### LCTS 50/32SC



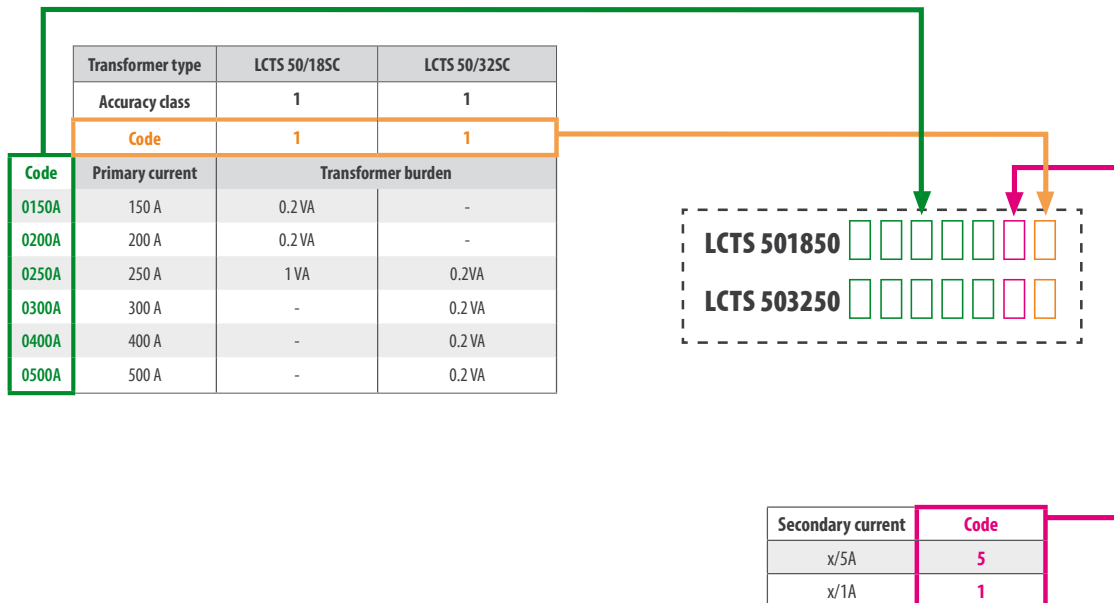
3 YEAR WARRANTY

shop.lumel.com.pl



**ePLAN**

## ORDERING CODES



**Ordering example:** Order code a LCTS 5032500500A5 means the transformer LCTS 50/32SC 500/5A ; Class 1; power 0.2VA